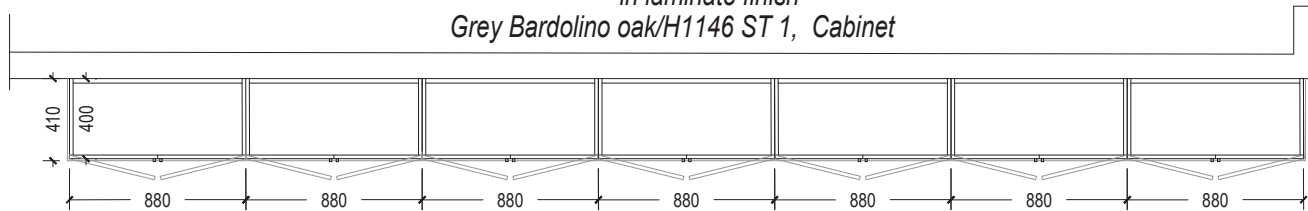


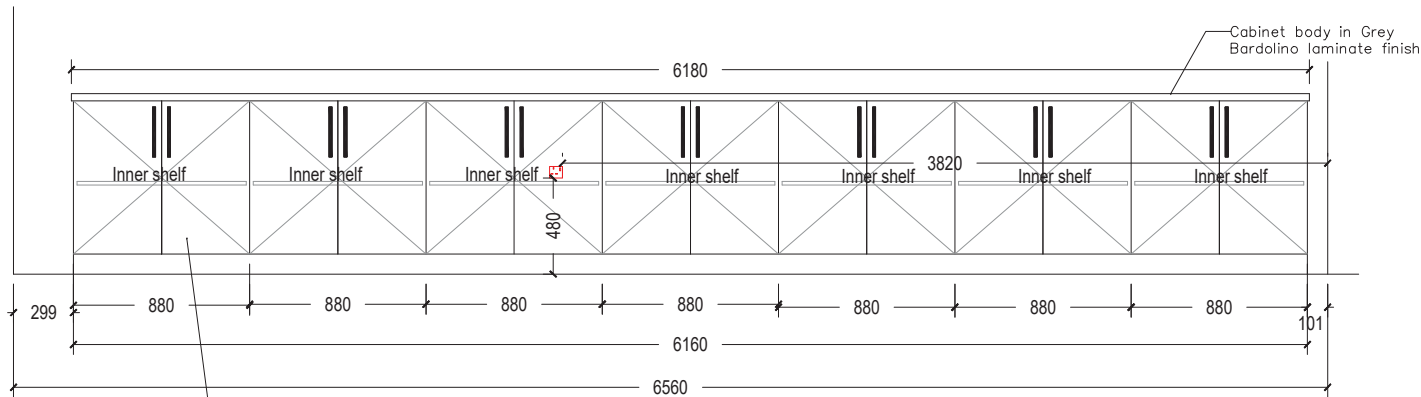
PLAN NO: 51
 BATCH 2
 FOURTH FLOOR

S. Bader
 08/16/2021

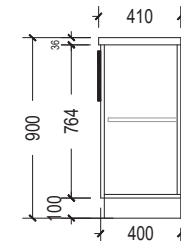
451
 Custom storage L-6160*D400*H900
 in laminate finish
 Grey Bardolino oak/H1146 ST 1, Cabinet




PLAN



ELEVATION



SIDE VIEW

	5	10	Client	Drawn By	OBJ	ITEM Number		LIST OF MATERIAL & CODE
	4	9		Checked	--	Drawing Number		
	3	8	Project	Date	3/8/2021	WS-DS-SD-MR-060		
	2	DSD-V1-ID-10/8/2021	7	Scale	--	Sheets No	Location No	
	1	DSD-V1-ID-3/8/2021	6	Title	551 Custom Storage Plan/Elevations	Approved	Samir Bader	
DOCUMENT CODE: WS-DS-SD-01 ISSUE DATE: JUNE 2016 REVISION DATE: JUNE 2016	N*	Date Last revision titles						